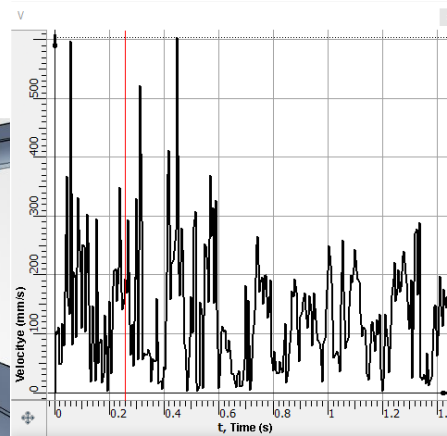
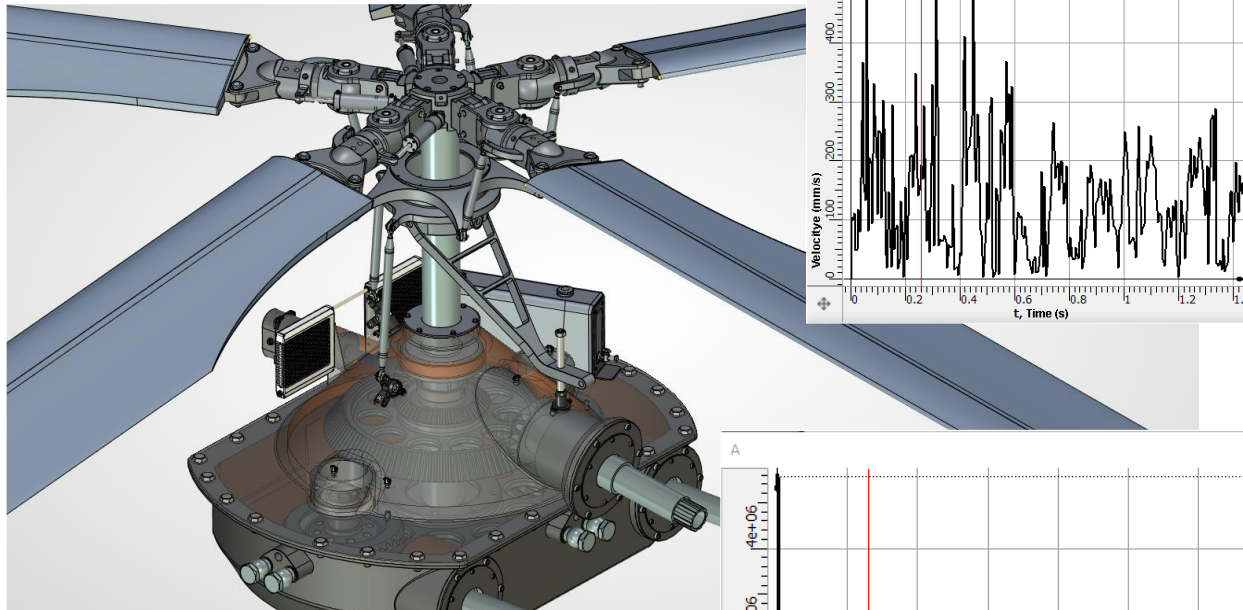
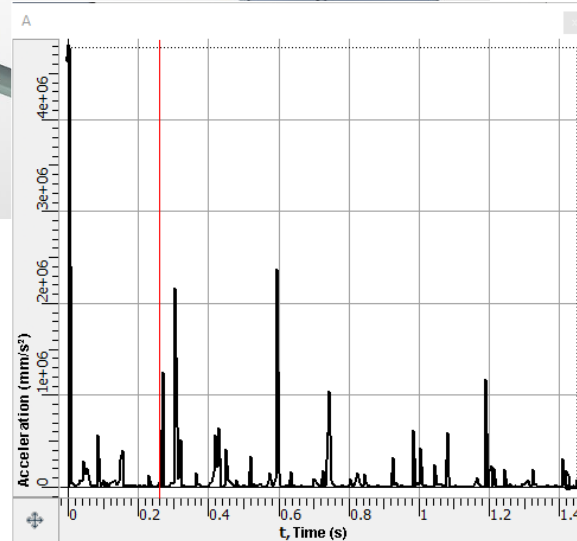


T-FLEX Dynamics Multibody Dynamics
and Kinematics Analysis

Multibody Dynamics and Kinematics Analysis



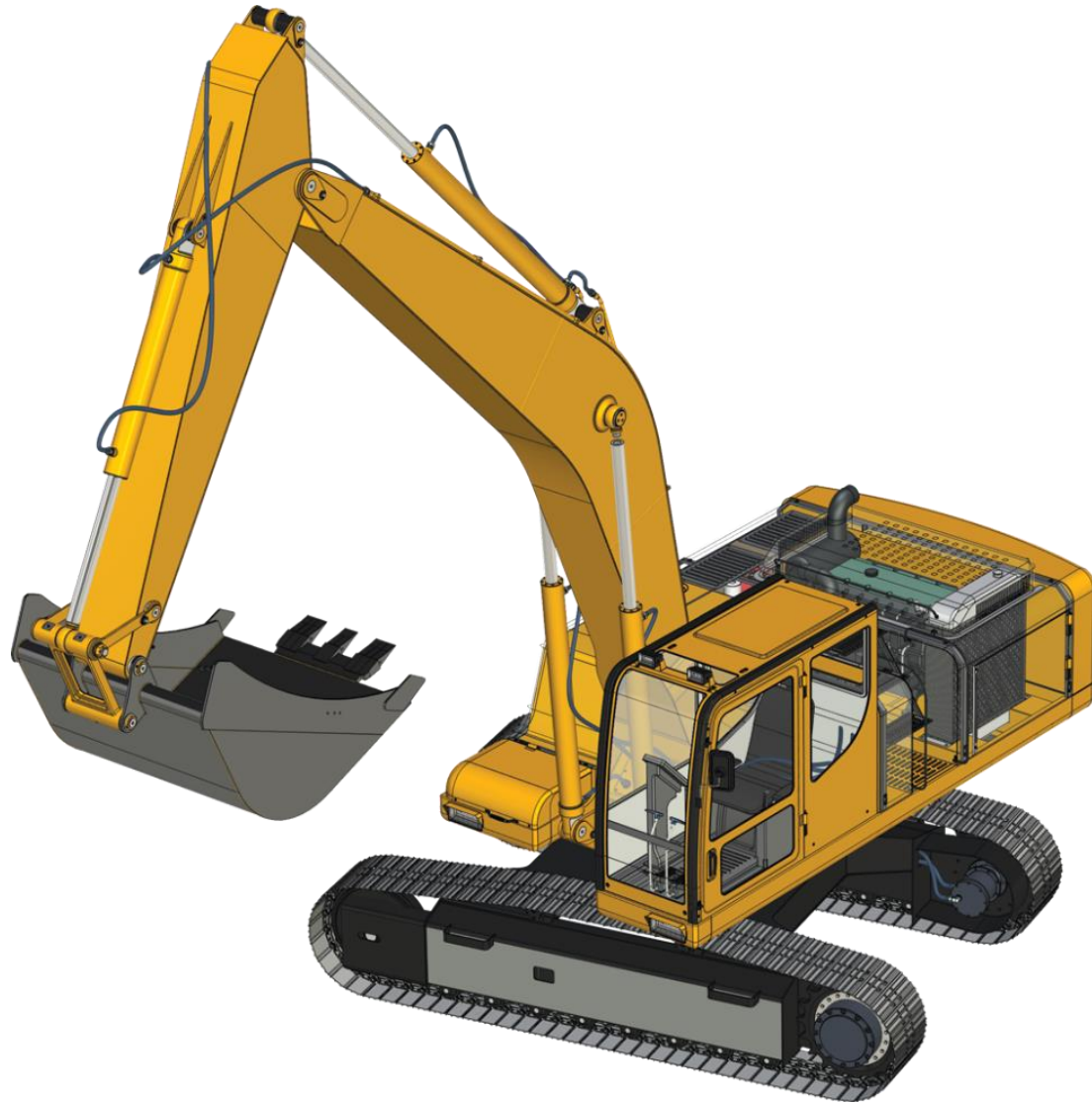
Current Values			
Name	Value	Minimum	Maximum
Velocity (magnitude)	192.135949	0.000000	604.689314
Acceleration (magnitude)	51823.578966	0.000000	4782176.517754
Reaction Force (magnitude)	0.000000	0.000000	0.000000
Reaction Torque (magnitude)	0.000000	0.000000	0.000000



T-FLEX Dynamics is a general-purpose motion simulation add-on application for studying the physics-based motion behavior of a CAD design without leaving the T-FLEX CAD environment

T-FLEX Dynamics is the virtual prototyping software for engineers and designers interested in understanding the performance of their assemblies. It lets you make sure your designs will work before you build them.

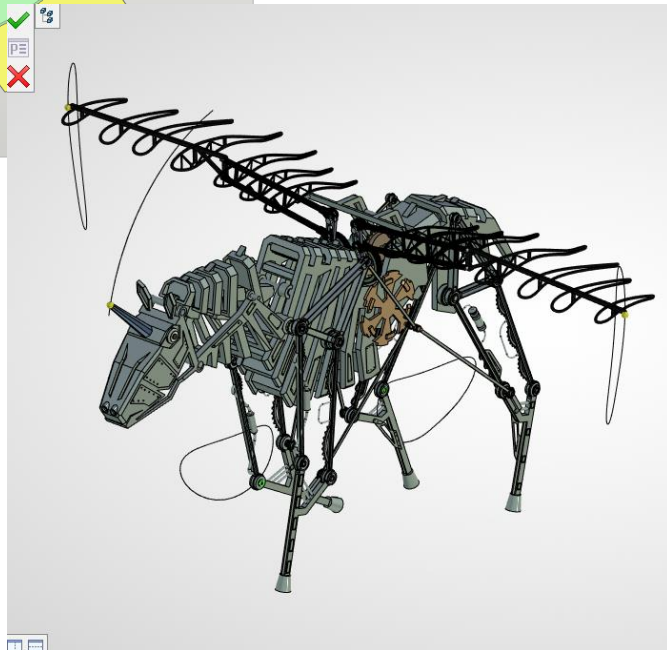
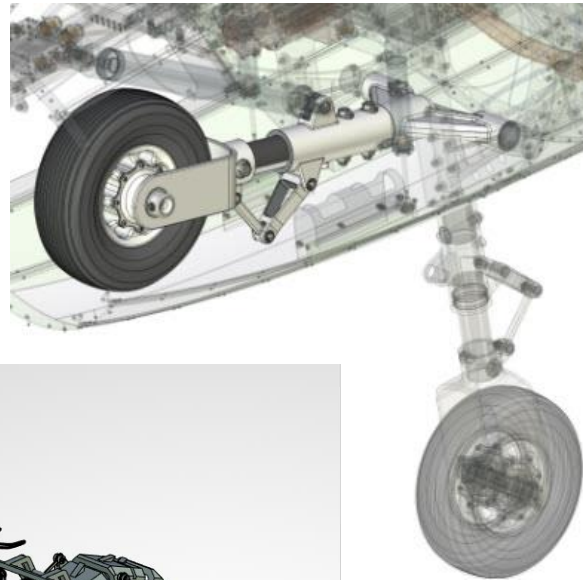
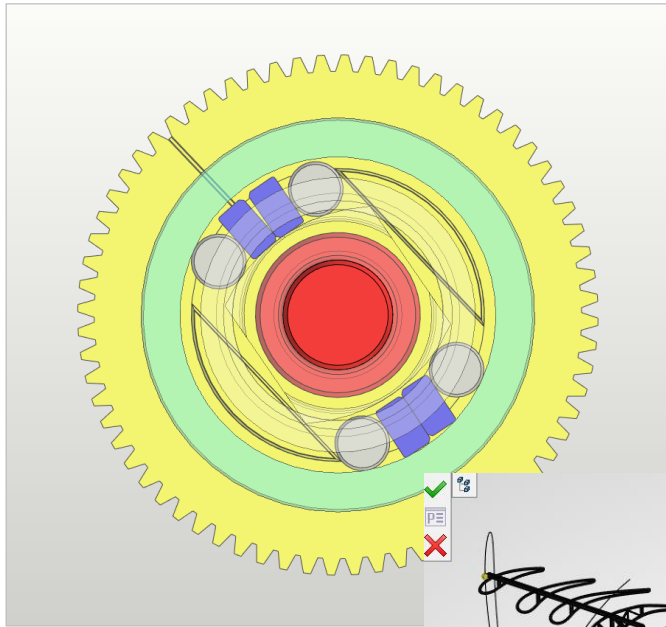
Multibody Dynamics and Kinematics Analysis



T-FLEX Dynamics offers several types of joint and force options to represent real-life operating conditions.

As you build your T-FLEX CAD assembly model, T-FLEX Dynamics can automatically create the parts, joints and contacts of your mechanism generating them from assembly constraints and from model

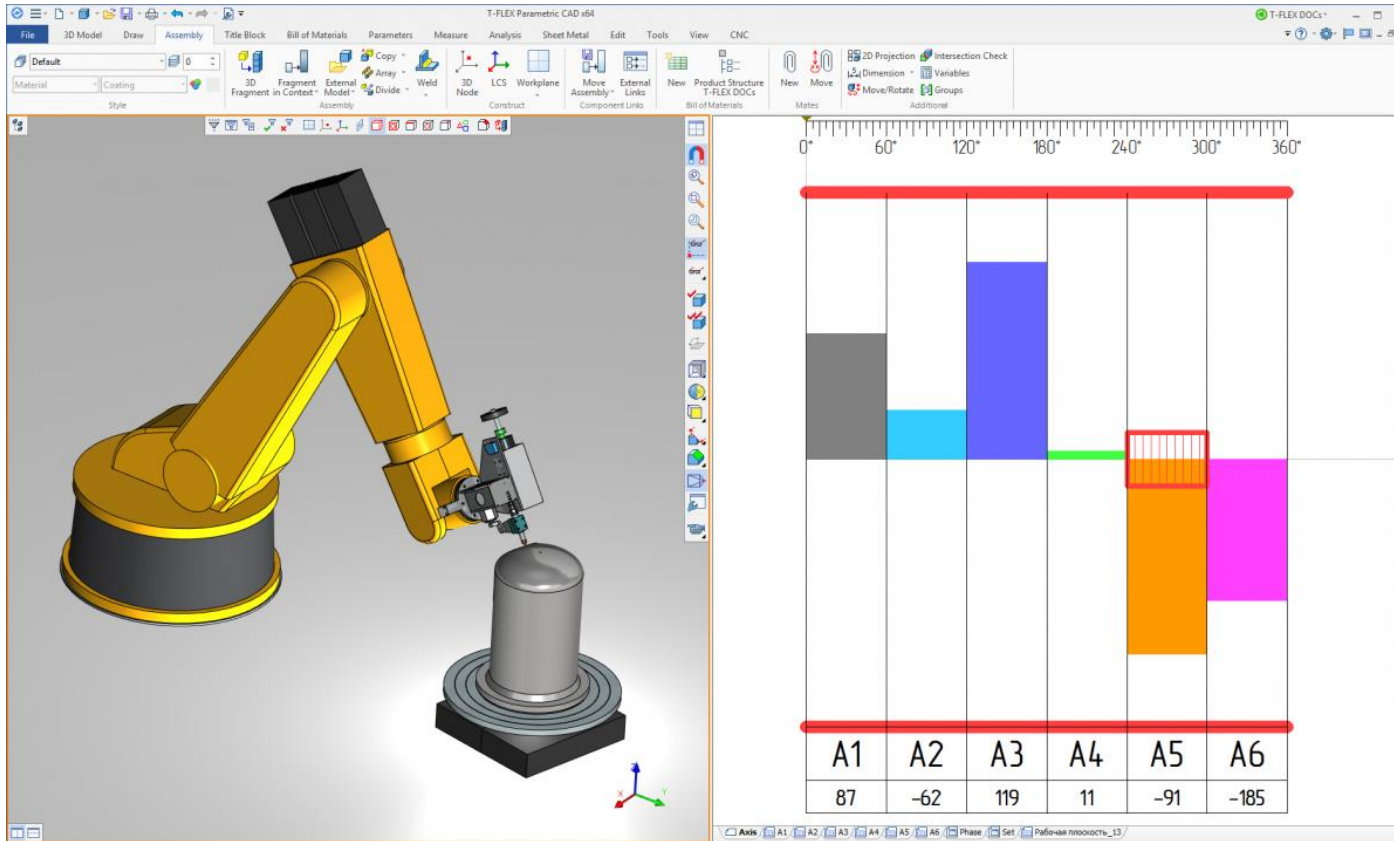
Multibody Dynamics and Kinematics Analysis



T-FLEX Dynamics provides:

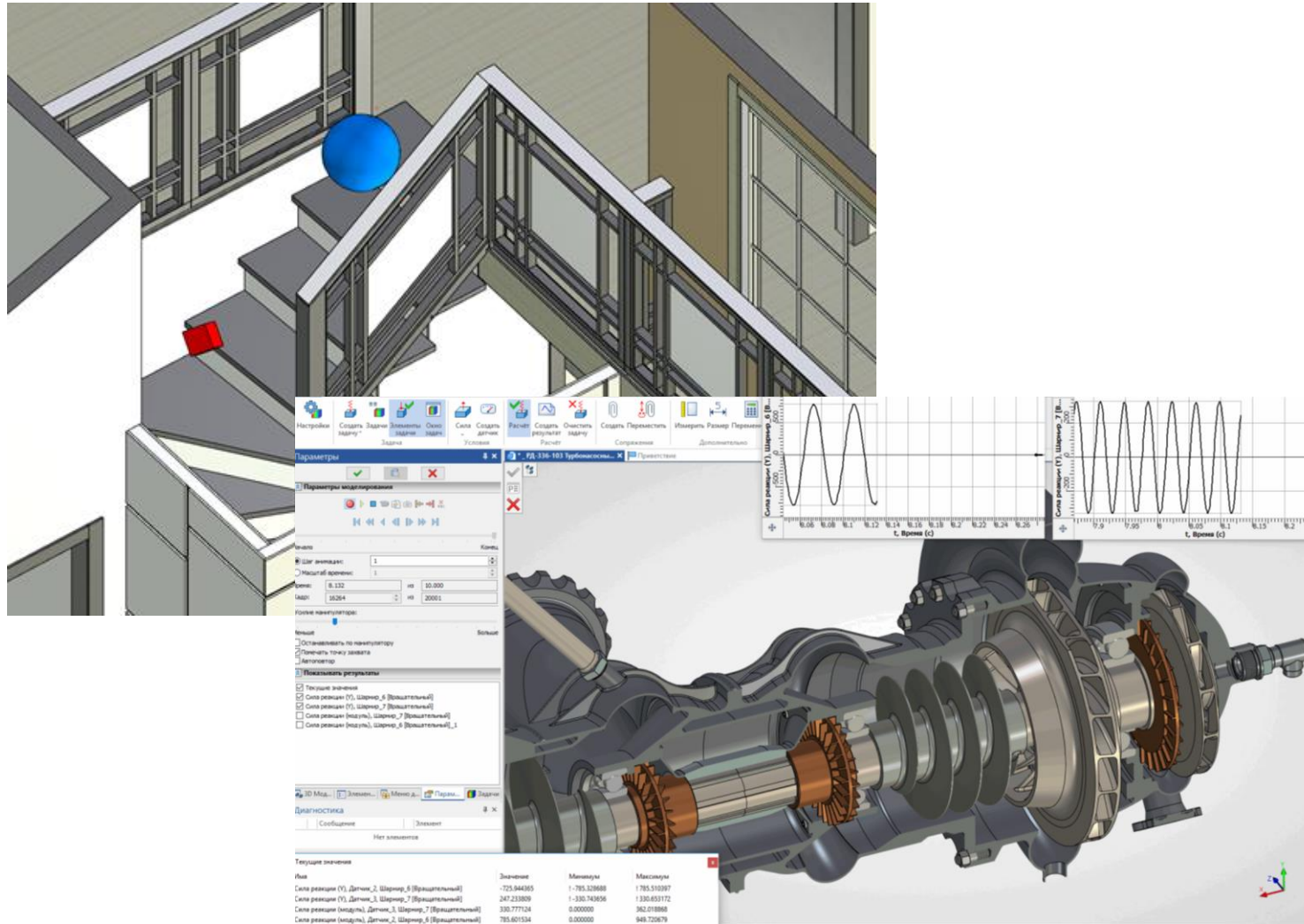
- ✓ Static Analysis
- ✓ Dynamic Analysis
- ✓ Contact Study Analysis
- ✓ Kinematic Analysis

Loads Type



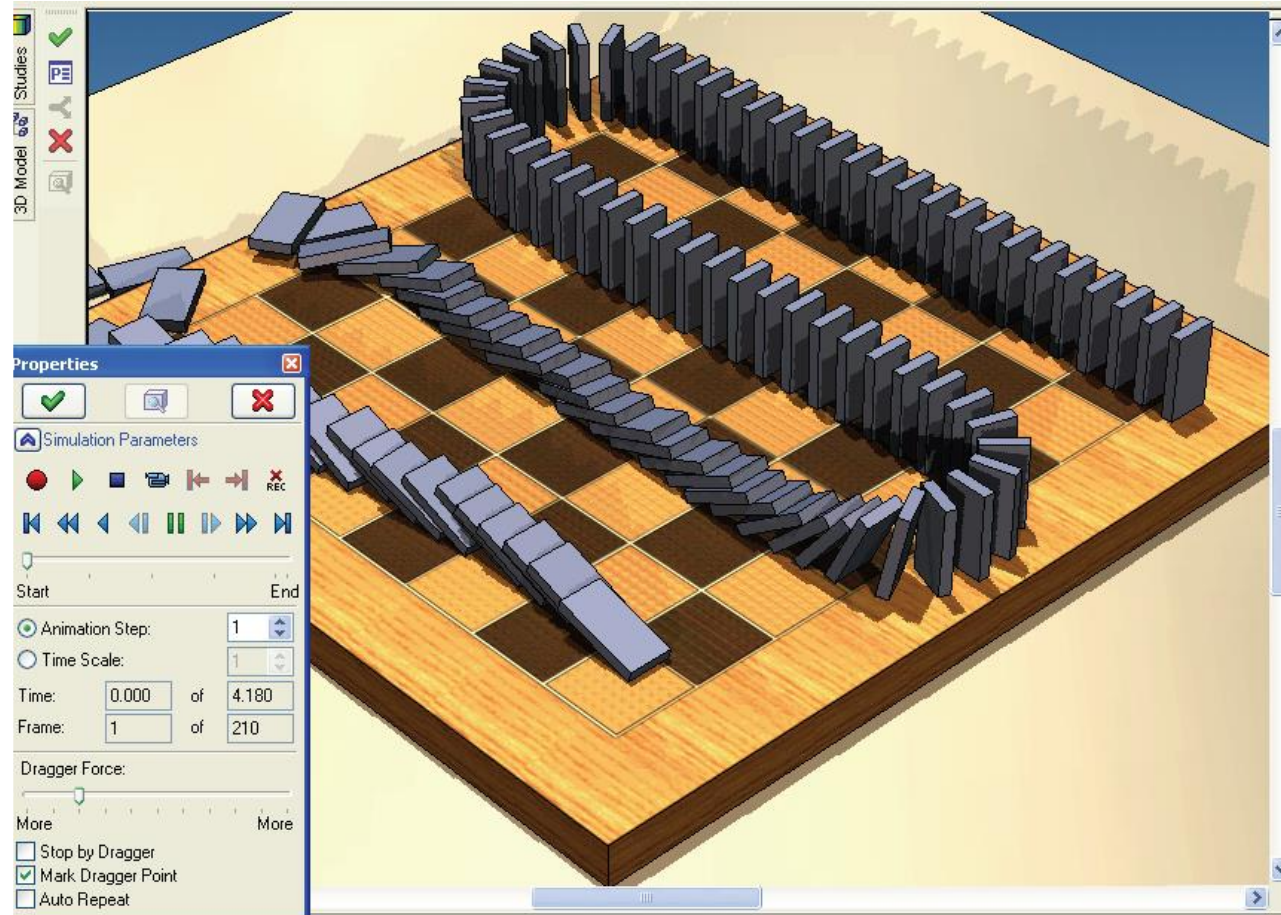
- ✓ Gravity
- ✓ Initial Velocity
- ✓ Concentrated Force
- ✓ Spring (Bipolar Force Element)
- ✓ Helical Joint
- ✓ Rotation
- ✓ Torque

Joints Type



- ✓ Spherical Joint
- ✓ Rotational Joint
- ✓ Cylindrical Joint
- ✓ Translational Joint
- ✓ Helical Joint
- ✓ Contact-type Joint
- ✓ Generic Joint

Friction and Impact Parameters



- ✓ Friction Coefficients
- ✓ Tightness
- ✓ Geometrical Dimensions
- ✓ Restitution Coefficient
- ✓ Minimum Velocity
- ✓ Contact-type Joint
- ✓ Generic Joint

System Requirements



Minimum:

Microsoft® Windows® 7 64-bit (Service Pack 1)

Intel or AMD processor with SSE2 support,
2 GB memory, 3 GB hard disk space.

Recommended:

Windows® 8.1 64-bit, 10 64-bit

Core i7 processor or equivalent
SSD Disk

32 GB RAM or more

High-performance NVIDIA or AMD video
card with at least 1GB that supports
OpenGL 4.2 or higher.



T-FLEX PLM



For more information about T-FLEX CAD and other Top Systems' products you may contact directly our company or any regional representative

www.tflex.com | tflex@topsystems.ru

CONTACT US



TOP SYSTEMS